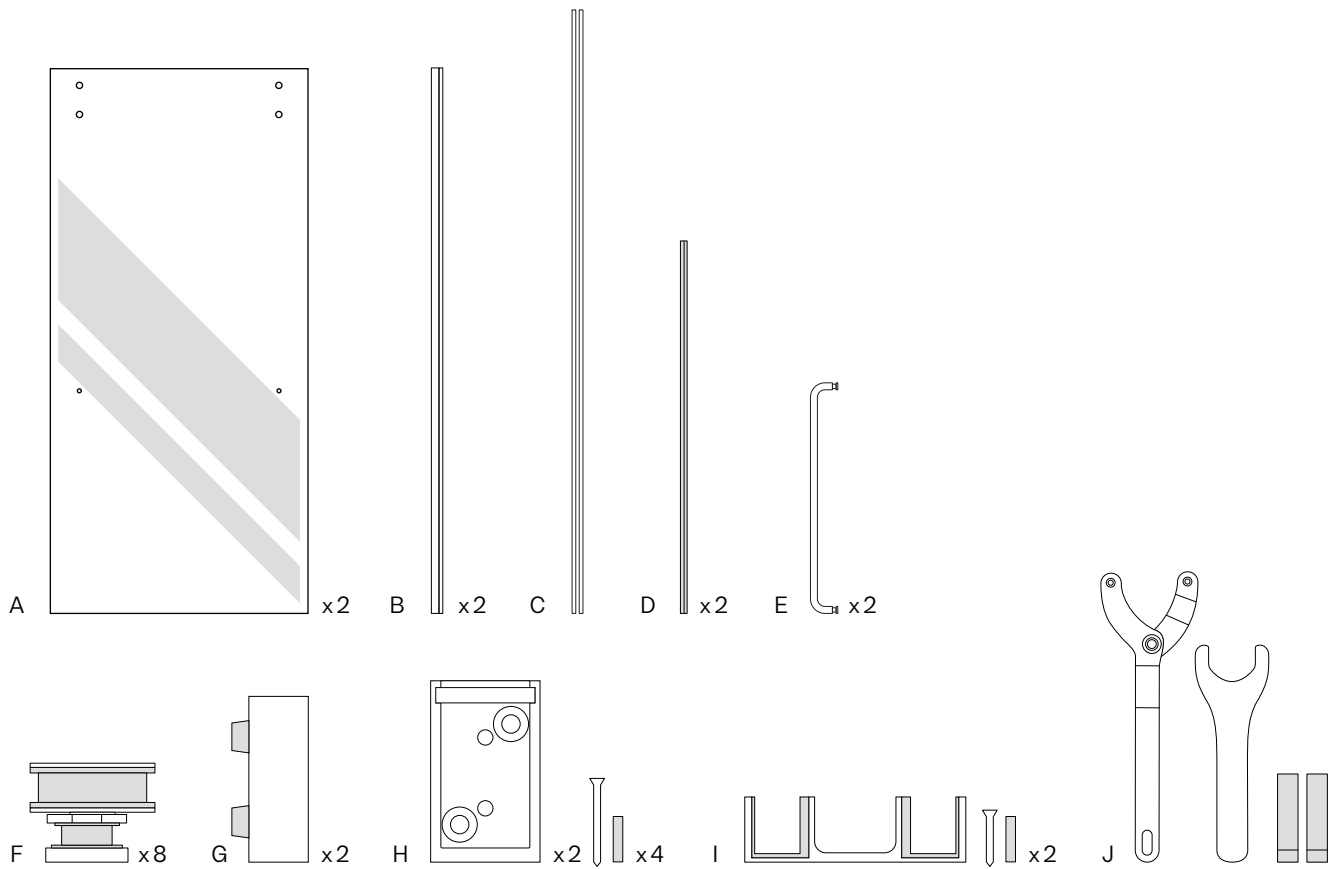


B-2DSL60-66 (56" - 60" width, 66" height)

# Shower Enclosure Installation Guide

Polaris Square Double Slider  
Bathtub Enclosure



**Included in your purchase** (Shipped in 3 separate boxes)

- A** Sliding Door Panels (65 5/8")
- B** L-Shaped Jamb Seals
- C** Shower Rod
- D** Bottom Sweeps with Drip Rails

- E** Single Sided Towel Bars
- F** Slider Panel Rollers
- G** Sliding Panel Stoppers

- H** Shower Rod Brackets
- I** Bottom Bracket
- J** Tool Kit & Rubber Blocks

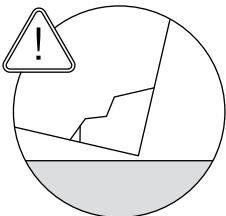
# Thank you for your purchase.

If for any reason you are having trouble with installation please contact Glass Warehouse directly. Glass Warehouse takes pride in providing quality products and customer service. We want to ensure your happiness with your purchase for years to come.

If you have any questions, please do not hesitate to reach out to us. Thank you again for choosing Glass Warehouse!

Best Regards,

The Team at Glass Warehouse  
Glass Warehouse, LLC  
(760) 536 3640  
[inquiries@glasswarehouse.us](mailto:inquiries@glasswarehouse.us)

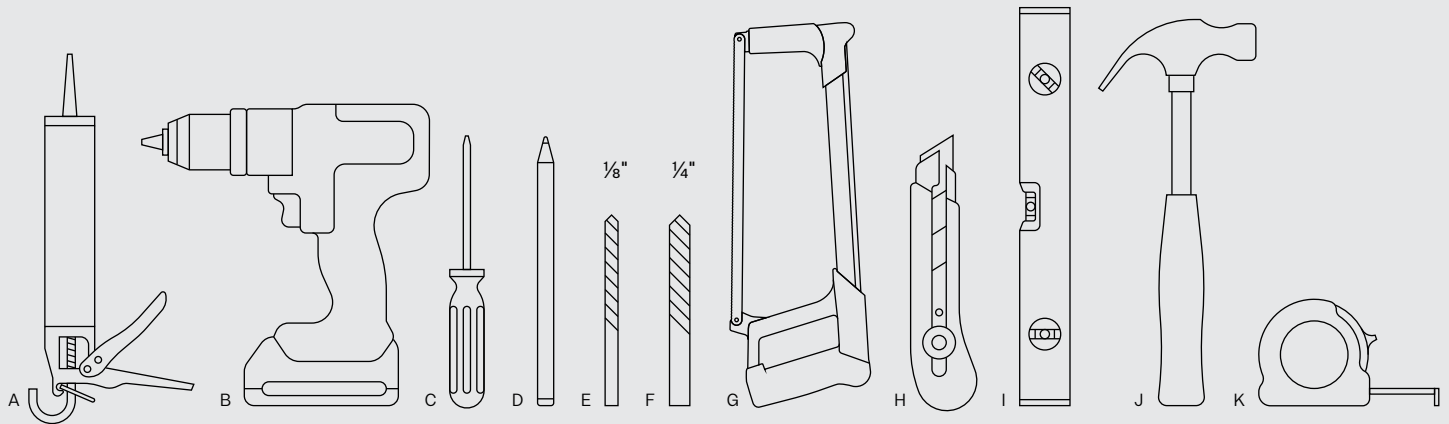


**Caution:** The most fragile parts of tempered glass panels are the corners. Therefore, it is critical you have the rubber blocks in place so the glass never touches the tile surface you are installing onto. Please make sure the glass is always on cardboard packaging or rubber blocks while out of the packaging prior/during install. Rubber block is provided in your hardware pack however you can use wood, cardboard or other rubber products to protect against breakage.



**Attention installer:** A light haze or smudging may be present on the coated glass panels upon delivery. This is easily removed with denatured or isopropyl alcohol and a good quality microfiber cloth, followed by a rinse of water. This can be done before or after installation.

# Installation Guide



---

## Tools required for install.

- |                                    |                        |
|------------------------------------|------------------------|
| <b>A</b> Silicone and caulkung gun | <b>G</b> Hacksaw       |
| <b>B</b> Power drill               | <b>H</b> Utility knife |
| <b>C</b> Phillips head screwdriver | <b>I</b> Level         |
| <b>D</b> Pencil                    | <b>J</b> Hammer        |
| <b>E</b> 1/8" tile drill bit       | <b>K</b> Tape measure  |
| <b>F</b> 1/4" tile drill bit       |                        |

**Note:** Silicone is not provided and will need to be purchased separately. We recommend using a clear, mold resistant silicone which can be purchased at your local hardware store.

# Before You Start

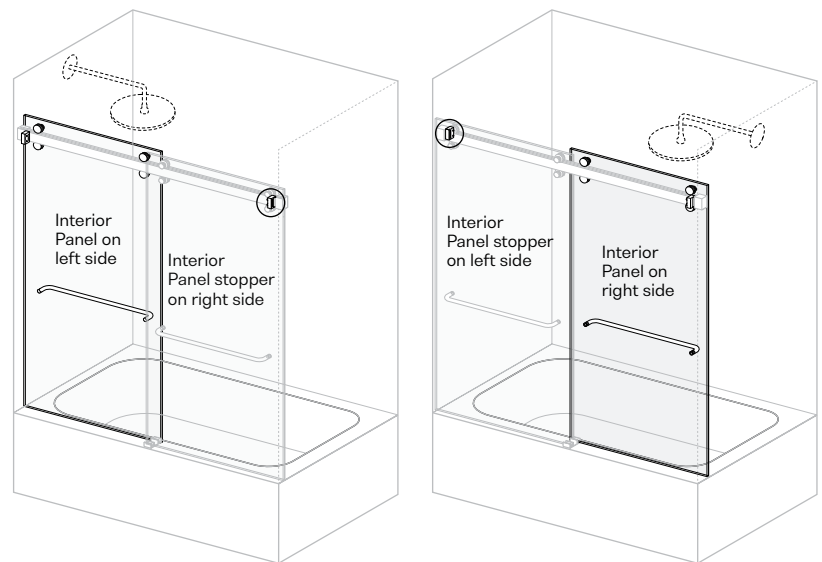
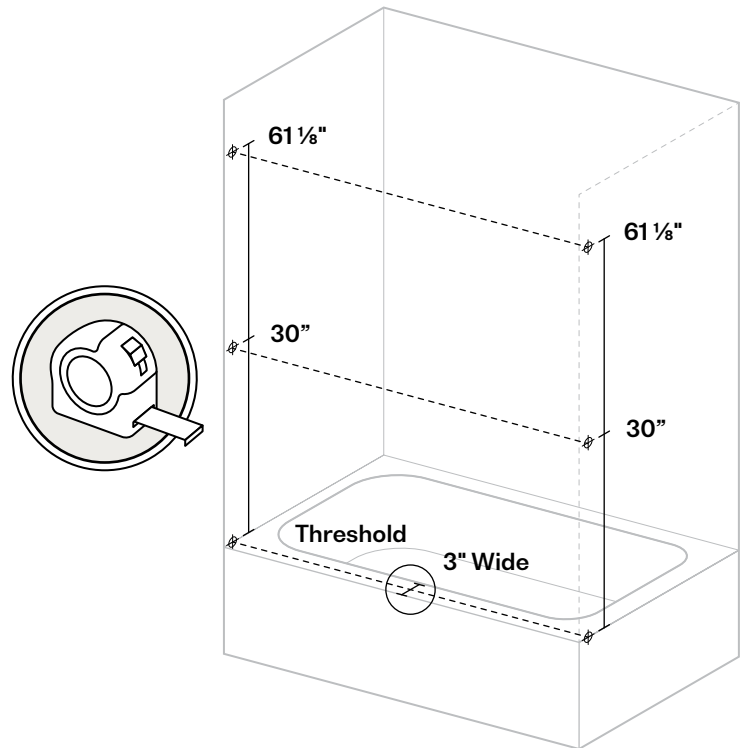
- Measure if your walls are out of plumb. It is essential your shower enclosure is tiled before measuring as your measurements WILL change once tiling and grout are in place.

## Take 3 Tile to Tile Measurements:

1. TOP of rod height (61 1/8")
2. MIDDLE from threshold (30")
3. BOTTOM at threshold

If your walls are 3/8" or more out of plumb, please contact Glass Warehouse before installing.

- Measure threshold to ensure that this model will fit. Threshold must be a minimum of 3" wide to install this model.
- Choose which side of your shower should have the Inside Panel (while both doors are closed). Glass Warehouse highly recommends installing the Interior Panel on the same side as your shower head. This will help to prevent water leaking from the gap between the two glass panels.
- If installing an enclosure with fiberglass walls, a stud must be directly behind where the Rod Holders and Shower Rod will be installed.



---

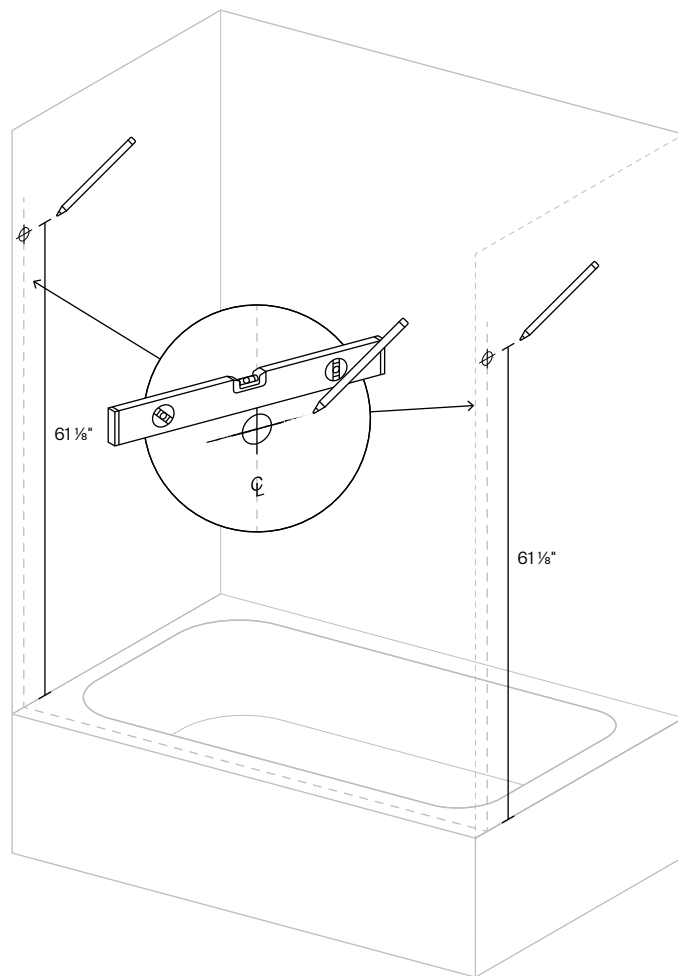
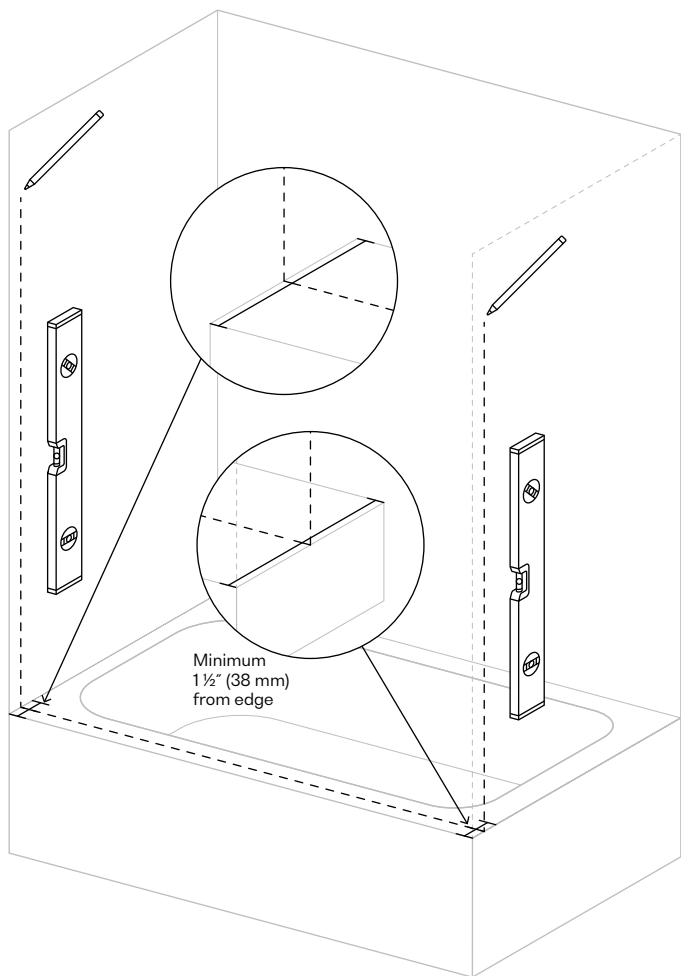
## Confirm you have the correct model size for your opening.

Model number and corresponding size range:

**B-2DSL60-66 = 56" - 60" width, 66" height**

If your shower head is on the left, the Inside Panel should be installed on the left side and the Stopper will go on the right side (and on the inside track) of the Shower Rod.

If your shower head is on the right, the Inside Panel should be installed on the right side and the Stopper will go on the left side (and on the inside track) of the Shower Rod.



01

### Mark threshold and walls for Shower Rod position

Measure the width of threshold tile where shower door is to be installed, this needs to be a minimum of 3" to install this model shower enclosure. Measure to center of threshold and mark a line down the center. Check that line is at least 1½" from the front and back of threshold. Using a level, draw a line up both walls from this point.

**Important:** Check the threshold with a level before measuring for the Shower Rod Brackets. If the threshold is more than ¼" out of level, measure and mark from the side of the threshold that is higher. For the lower side, measure and add the out of level difference and mark so that your Shower Rod Brackets are installed level.



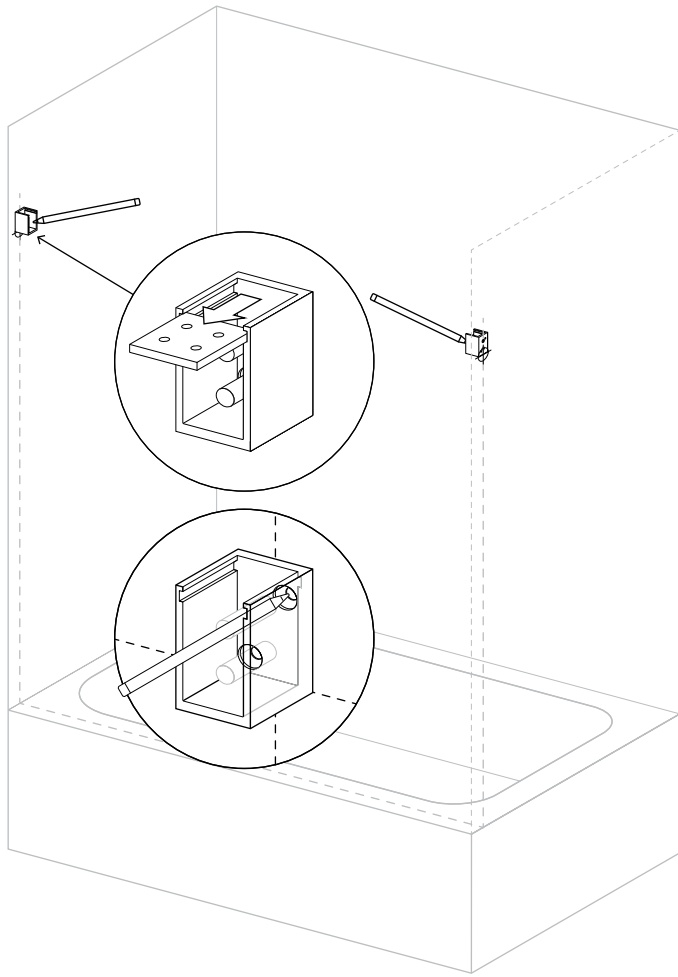
02

### Mark location of Shower Rod Brackets

Along the drawn level lines on each wall, measure 61 ⅛" from floor. Mark this point and draw a perfectly level horizontal line. This is where the bottom of the Shower Rod Bracket will sit.

**Tip:** We recommend using a pencil so this can be easily removed.




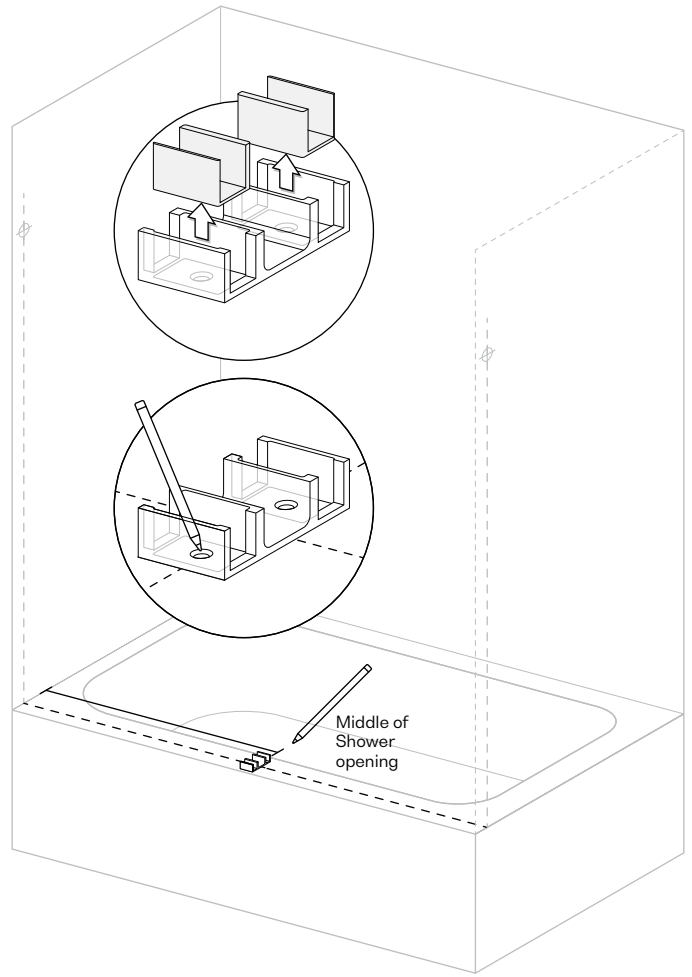


03

### Mark drill holes for Shower Rod Brackets

Center the Shower Rod Bracket along the vertical line with the bottom of the Bracket lined up with your horizontal line at 61 1/8". Use a pencil and mark the wall through both holes in Shower Rod Bracket. Repeat this process on the opposite wall.

**Important:** If installing an enclosure with fiberglass walls, a stud must be directly behind where the Shower Rod Brackets will be installed.

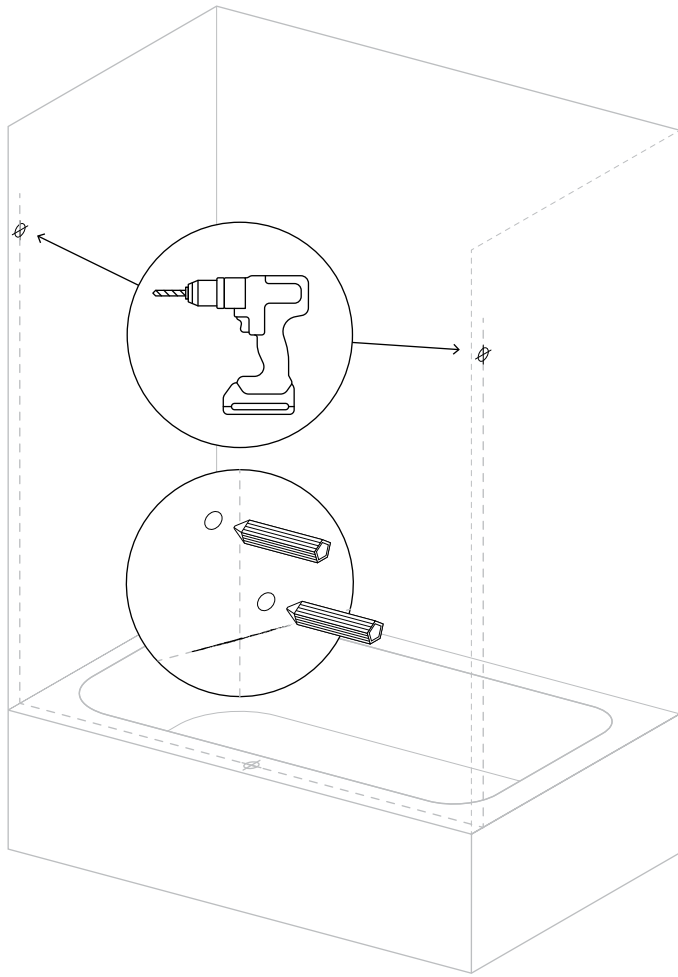
04

### Mark drill holes for Bottom Bracket

Measure to the middle of your bathtub opening and mark the exact middle point on the threshold for where to position the Bottom Bracket.

**Example:** If your opening is 58", you would mark a line at 29". This will be the exact middle of your Bottom Bracket for installation.

Using this line, center the Bottom Bracket on the threshold and use a pencil to mark the drill holes. Remove the plastic gaskets from the Bottom Bracket to mark the holes.



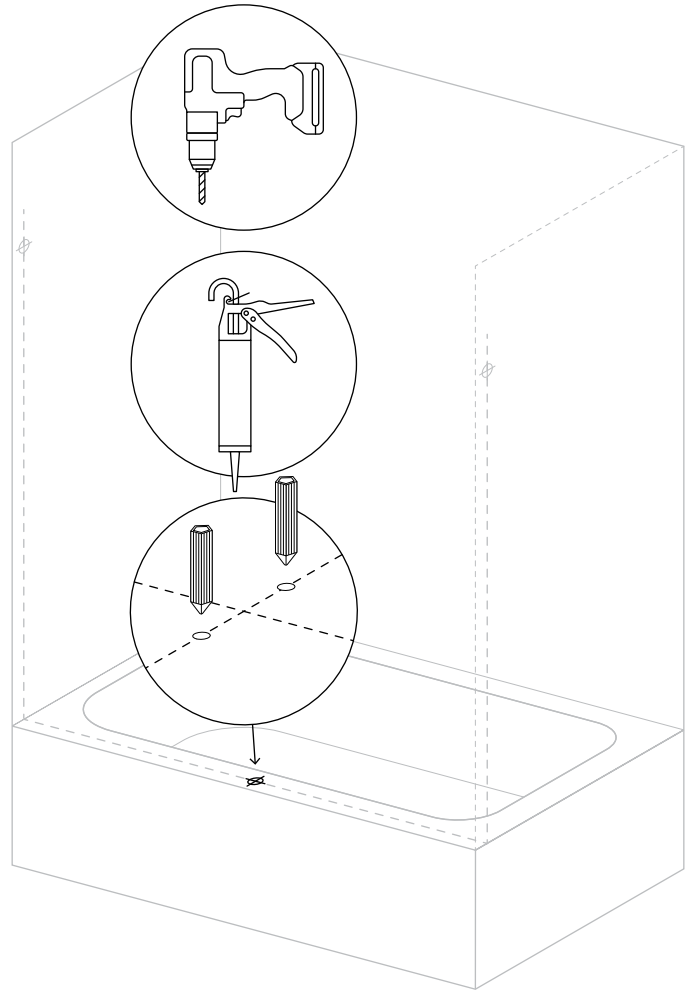
05

### Drill Holes for Shower Rod Brackets

Using a 1/4" drill bit, drill holes and install the wall anchors. Trim excess from the wall anchors hanging out of hole with utility knife so Shower Rod Brackets sit flush to the wall.

If the shower wall is fiberglass, use a 1/8" drill bit for the wall holes. You will not use the green anchor but rather screw the Shower Rod Brackets directly into the fiberglass shower wall.

**Important:** If installing an enclosure with fiberglass walls, a stud must be directly behind where the Shower Rod Brackets will be installed. An 1/8" tile drill bit can be used to create pilot holes for a tiled enclosure, but this is optional.



06

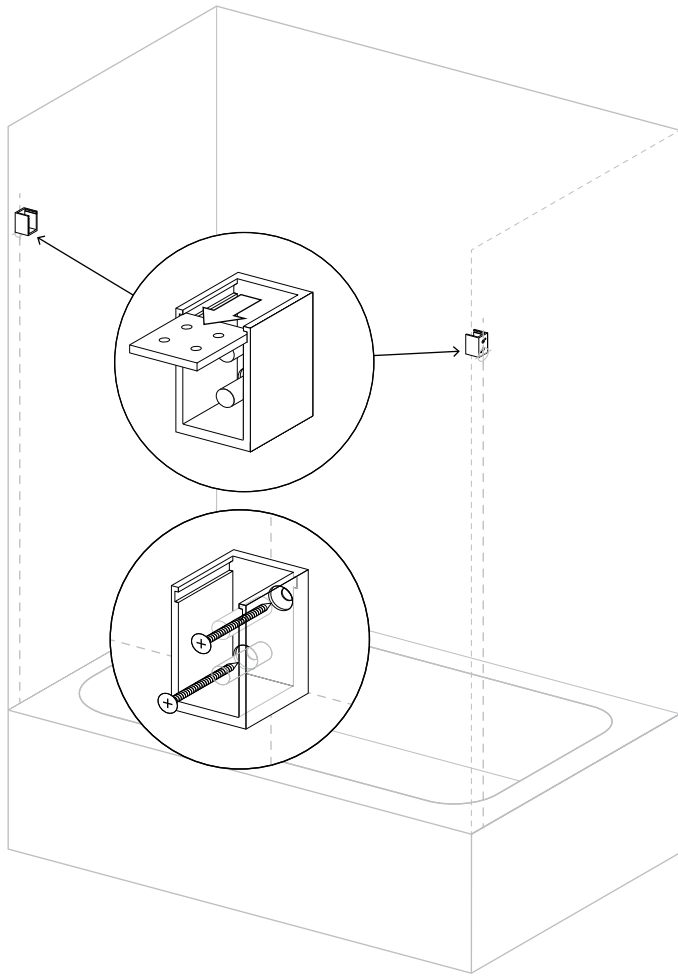
### Drill holes for Bottom Bracket

Using a 1/4" drill bit, drill 2 holes and install anchor (if necessary). Trim excess from the anchor with utility knife. Fill the holes with silicone to waterproof.

**Important:** When fixing Bottom Bracket to tiled threshold, use a 1/4" drill bit and install the green anchor before installing Bottom Bracket.



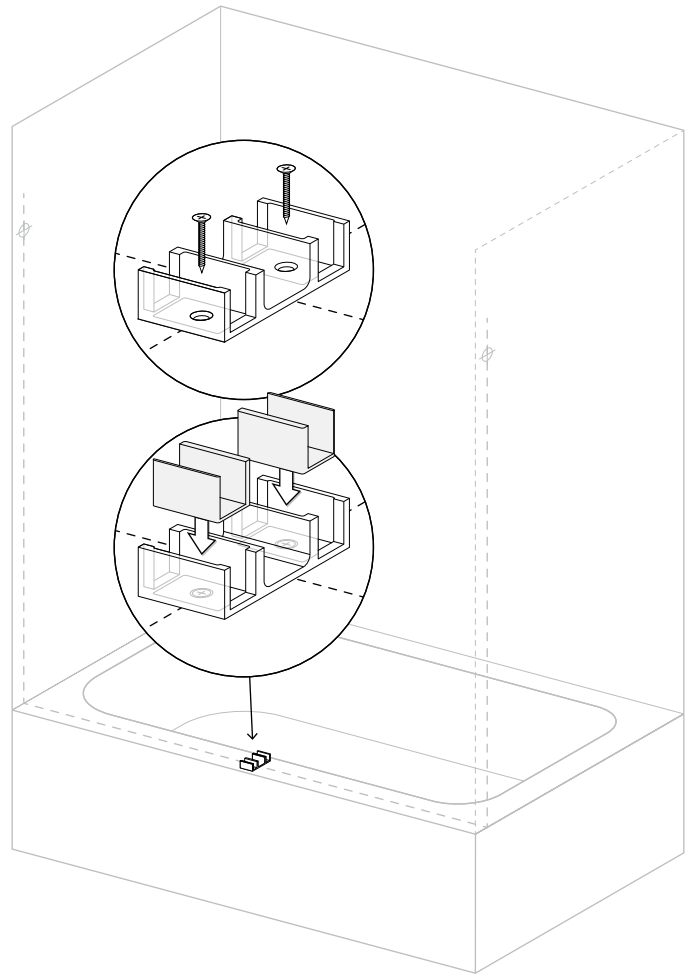




07

### Install Shower Rod Brackets

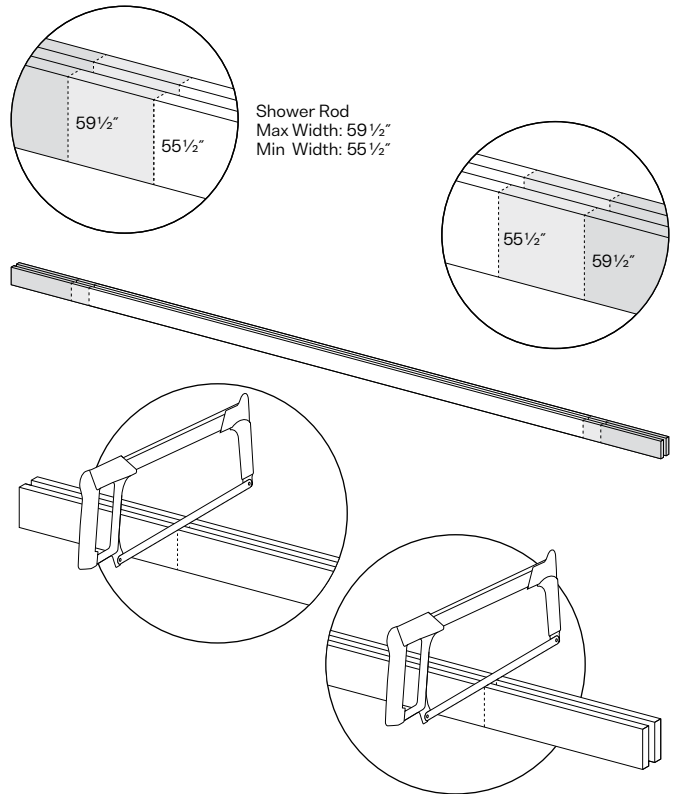
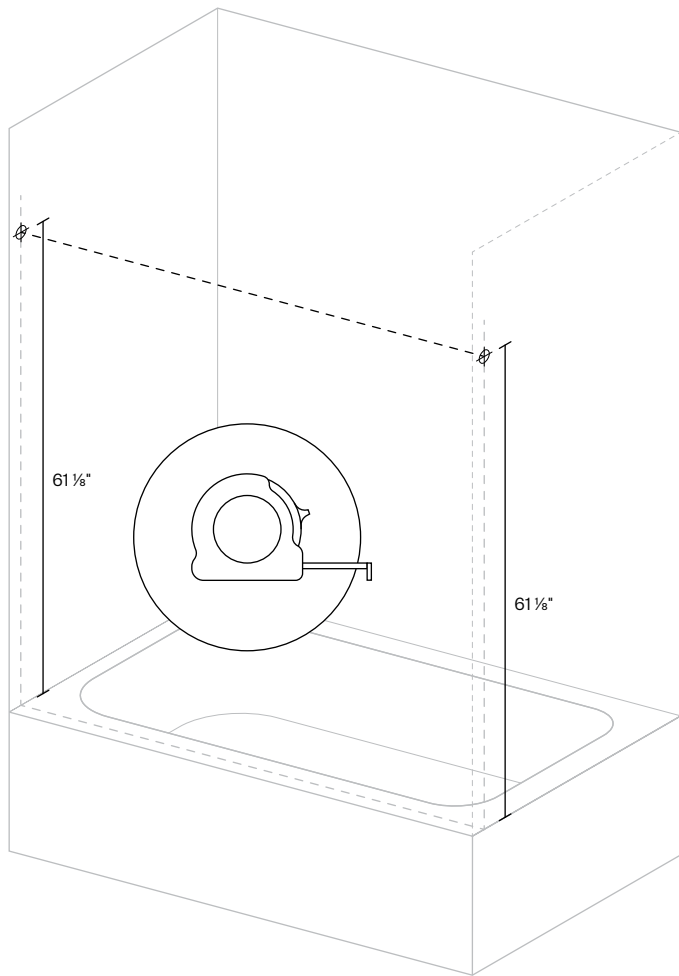
Install the Shower Rod Brackets. Be sure to remove the Shower Rod Bracket Top Covers prior to installation. Wall mount screws and plastic plug anchors are included with kit.



08

### Install Bottom Bracket

Remove the plastic inserts from inside Bottom Bracket. Screw Bottom Bracket down to secure. Once Bottom Bracket is installed, replace plastic inserts.



09

### Measure Shower Rod for cutting

Measure your opening wall to wall at  $61 \frac{1}{8}$ " up from the threshold. Subtract  $\frac{1}{2}$ " from this measurement. This is your **Final Shower Rod Length**.

Subtract your **Final Shower Rod Length** from 73" (73" is the initial length of the uncut Rod.) Divide this number by two to get your final measurement.

**Example:** Your opening measures 58".

**Final Shower Rod Length** =  $57 \frac{1}{2}$ ".

$73$  minus  $57 \frac{1}{2}$ " =  $15 \frac{1}{2}$ "

$15 \frac{1}{2}$ " divided by 2 =  $7 \frac{3}{4}$ "

You will remove  $7 \frac{3}{4}$ " from each end of the Shower Rod.

10

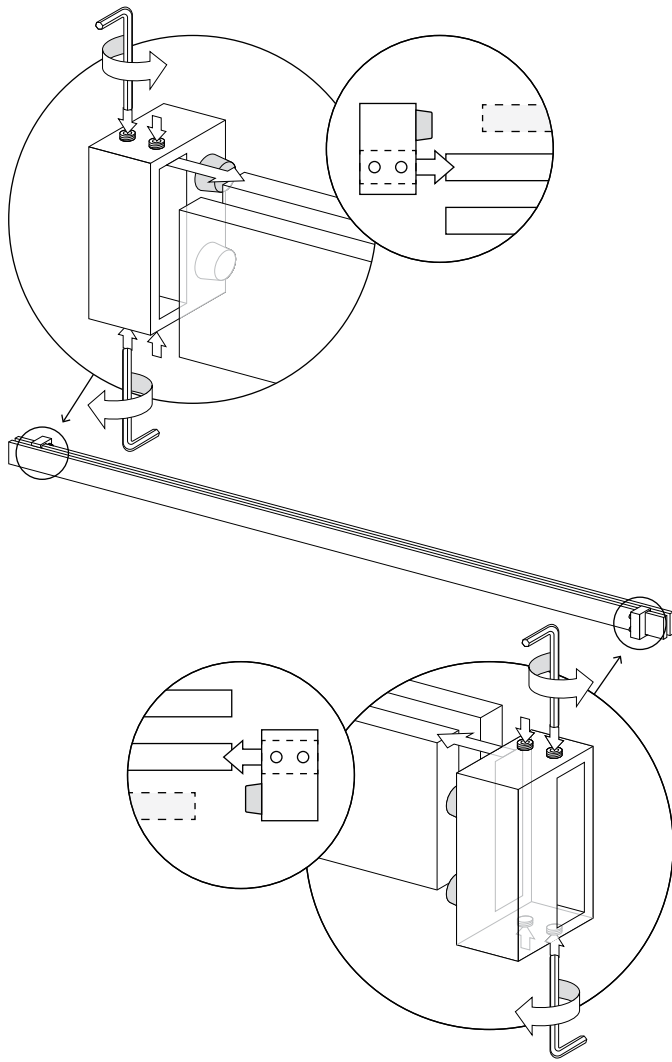
### Cut Shower Rod at both ends

**Important:** It is necessary to cut the Shower Rod at both ends because you will need  $2 \frac{1}{2}$ " clearance between the end of the Rod and the weld (on the inside) once the Rod has been cut. For this reason, you will need to cut both ends.



Wear safety goggles when using a grinder or hacksaw as a precautionary measure.

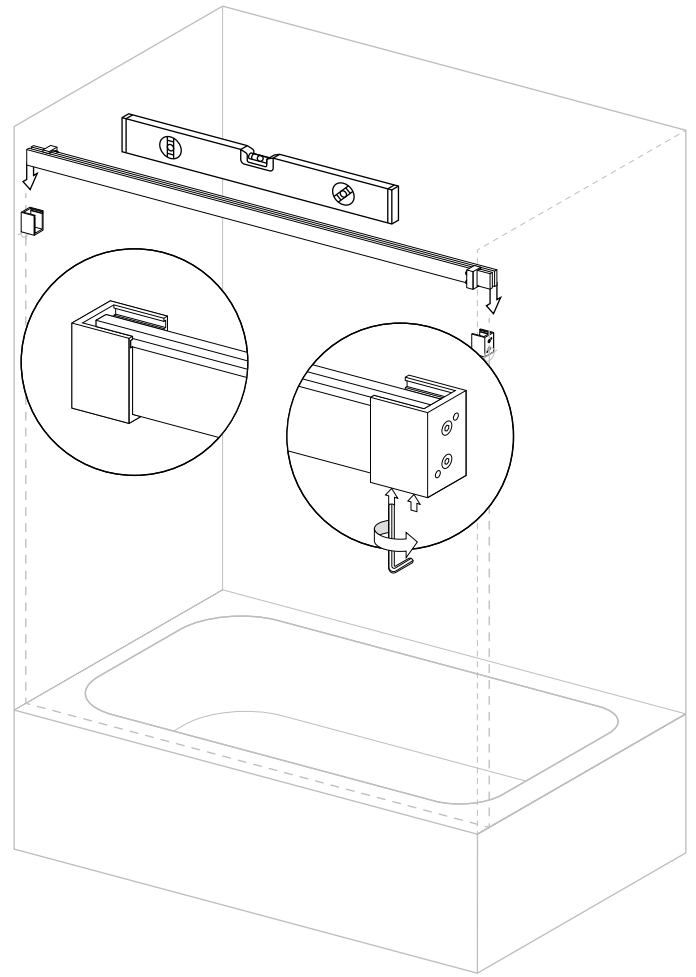
Using your measurement from Step 09, use a hacksaw or a special saw/grinder and remove the correct amount from each end of the Shower Rod. The Shower Rod is now ready for installation.



11

### Install Sliding Panel Stoppers

Prior to Shower Rod installation, position Sliding Panel Stoppers on each end of Shower Rod with rubber bumpers facing back edge of sliding glass door panels in open position. Secure in place after Shower Rod is installed.

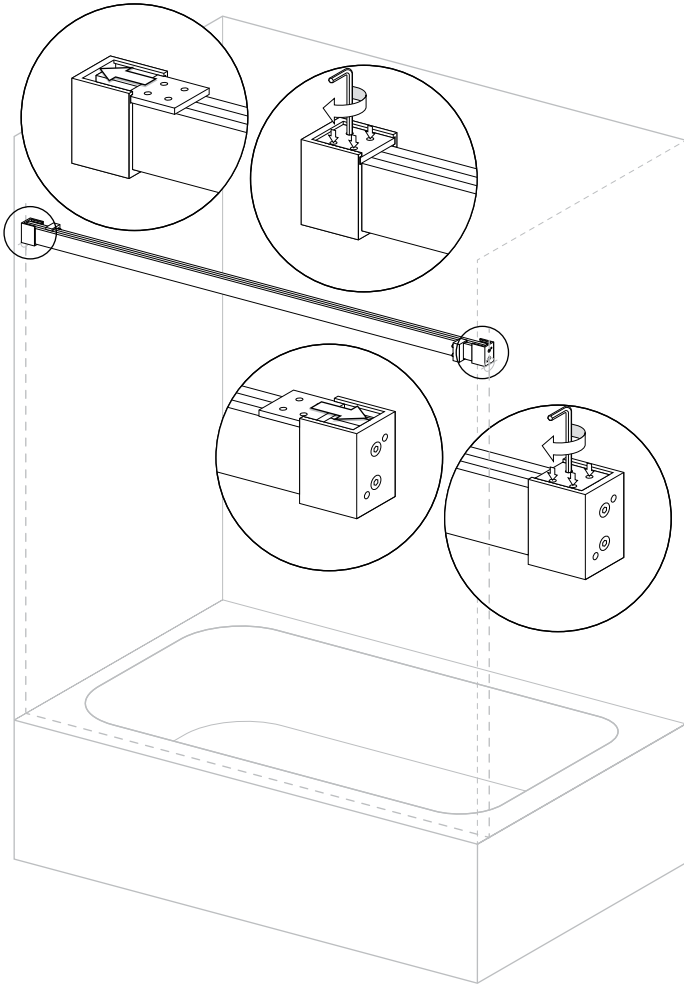


12

### Install Shower Rod into Shower Rod Brackets

Remove Shower Rod Bracket Top Covers prior to installing Shower Rod. Install Shower Rod into the Shower Rod Brackets with Stoppers in correct position for final glass panel positioning.

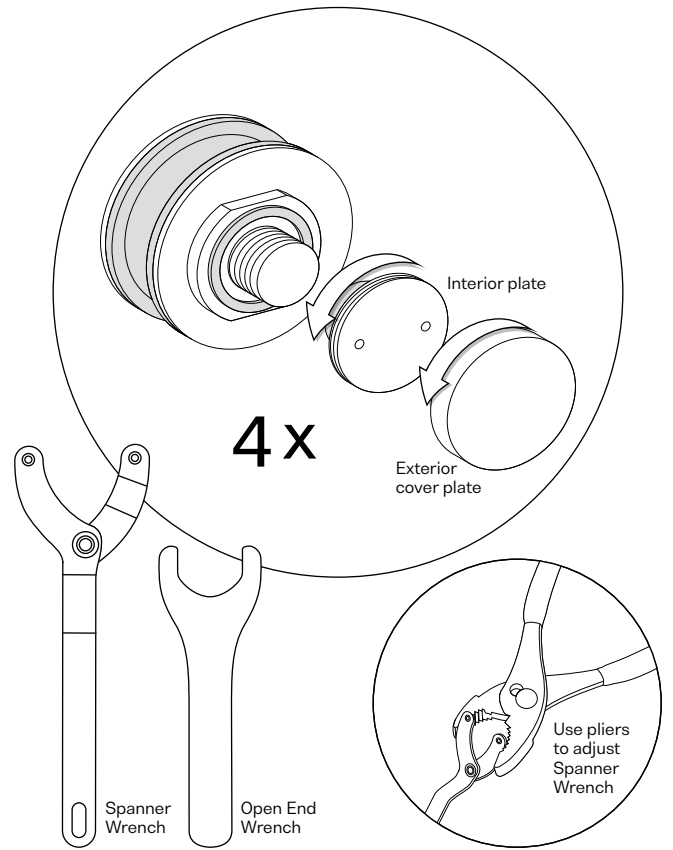
Check Shower Rod with level. If Shower Rod is not level, use set screws in bottom of Shower Rod Brackets to level Shower Rod completely.



13

### Install Shower Rod Bracket Top Covers

Once Shower Rod is perfectly level, insert Top Covers back into the Shower Rod Brackets and use the set screws to tighten them completely. Once Top Covers are installed, use level to confirm that Shower Rod is completely level before installing glass.



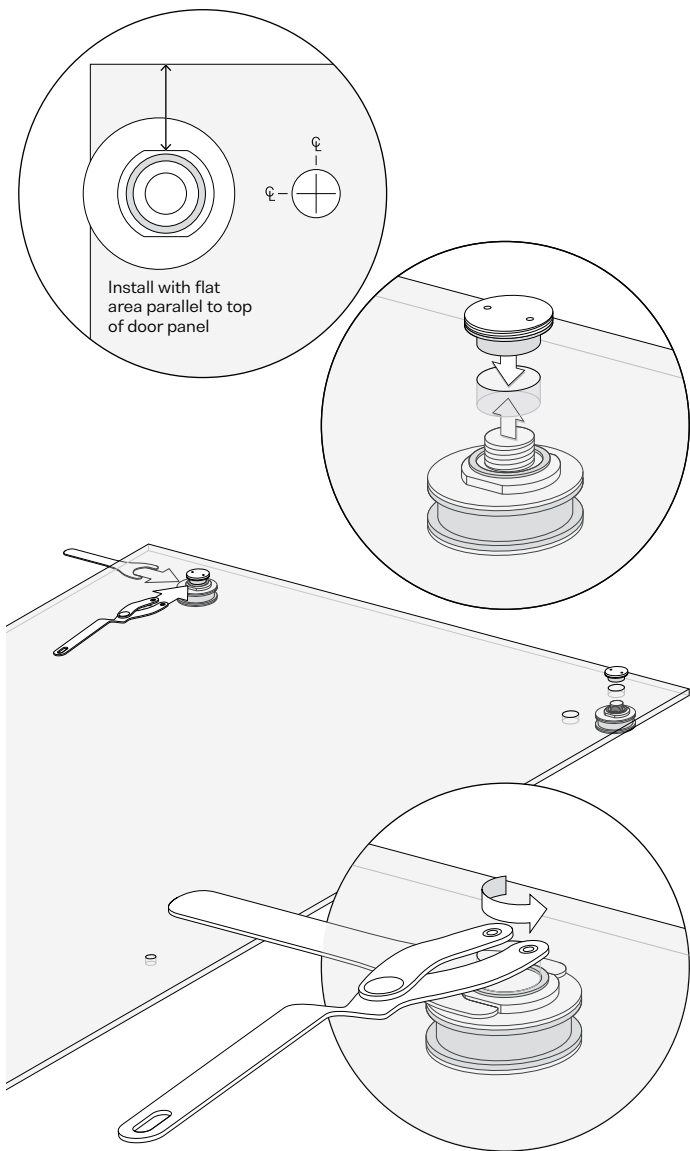
14

### Unpack and disassemble 4 sets of Rollers

The Rollers are shipped assembled and will need to be taken apart for installation into the glass panels. First, unscrew the exterior cover plate to access the interior plate. Next, unscrew the interior plate by hand. If needed, use open wrench and spanner wrench to loosen.

**Important:** Use a pair of pliers to adjust Spanner Wrench to fit inserts on interior cover plate.

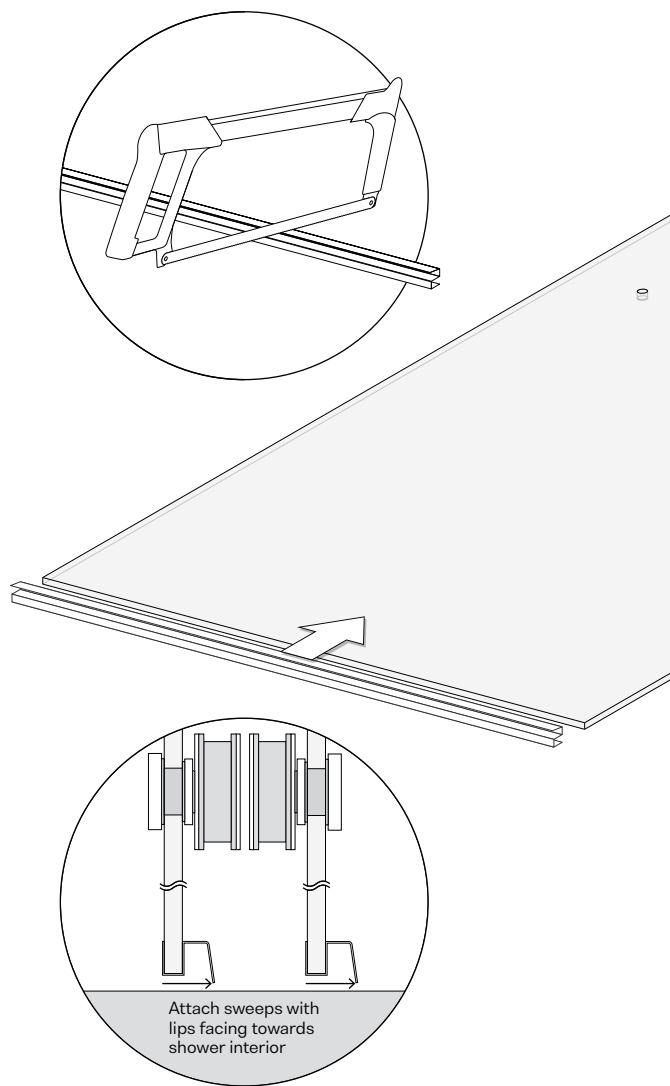




15

**Install Top Rollers on both sliding doors**

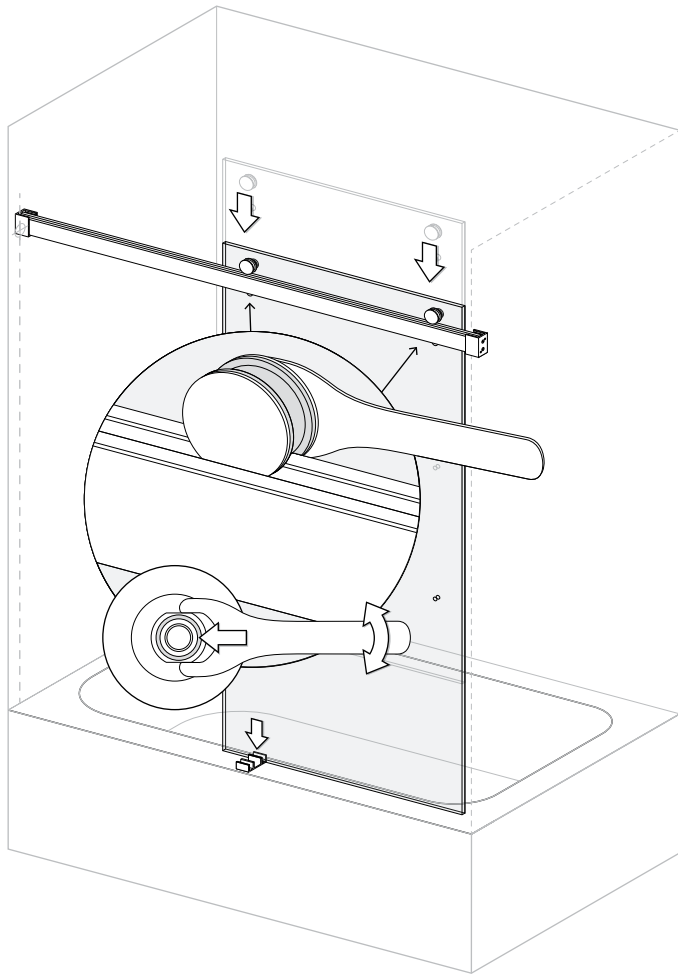
Install top 2 Rollers with flat area on wheel parallel to top of Door Panel. (Lower Rollers are installed after Door Panel is hung.) Repeat this process on the other Door Panel.



16

**Install Bottom Sweeps on both sliding doors**

Measure and cut Bottom Sweeps with hacksaw to fit exactly across the bottom of the Door Panel. Position Sweeps so that the lip faces the interior of the Shower when both Door Panels are installed.




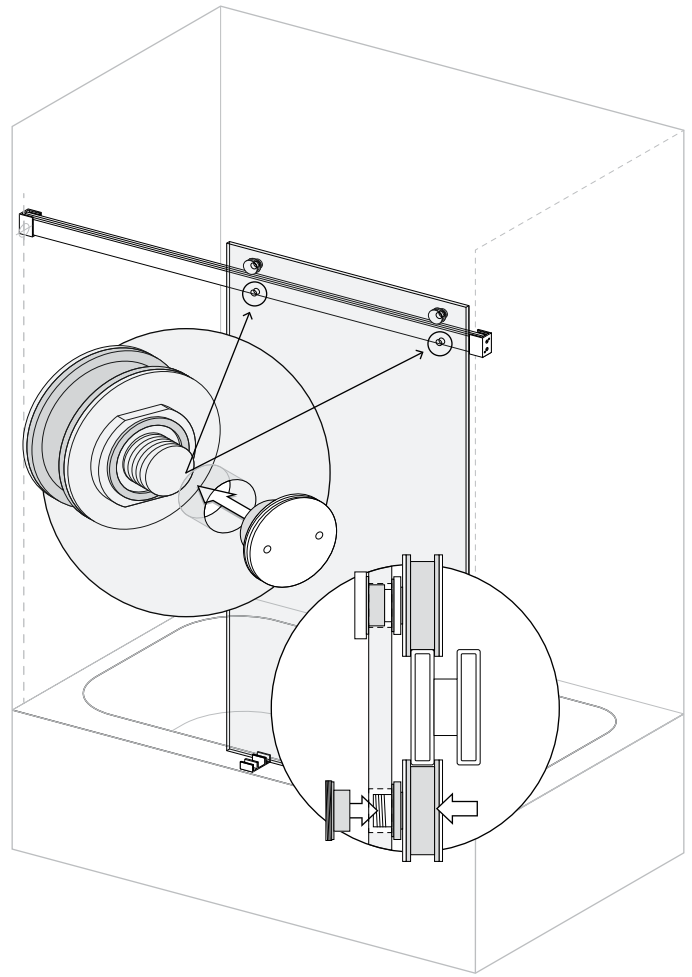
17

### Hang Interior Door Panel

Lift the Interior Door Panel and slowly lower the rollers onto the Shower Rod. When lowering the Door Panel, be sure the bottom of Door Panel slides into the Bottom Bracket and the Sweep faces the interior of the shower. Gently slide Door Panel from side to side making sure it is not binding anywhere along the bottom.

Check the Interior Door Panel is level and lines up evenly with the wall. If Door Panel does not line up with the wall, use the Open Wrench to adjust top rollers and align Door Panel vertically with wall.

**Important:** Be sure the glass does not touch the tile surface as you are lowering the panel into place.

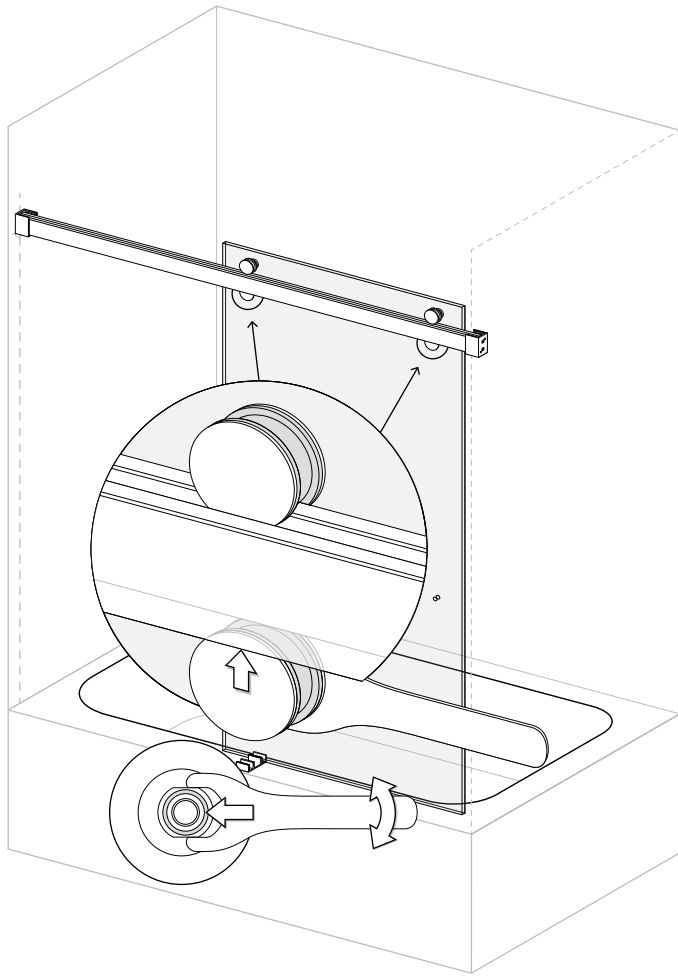
18

### Install Bottom Rollers on Interior Panel

Prepare 2 Bottom Rollers by removing Interior Plate.

Begin with roller aligned with flat area parallel to top of Door Panel. Insert Roller into bottom holes in Interior Panel and reattach Interior Plate.

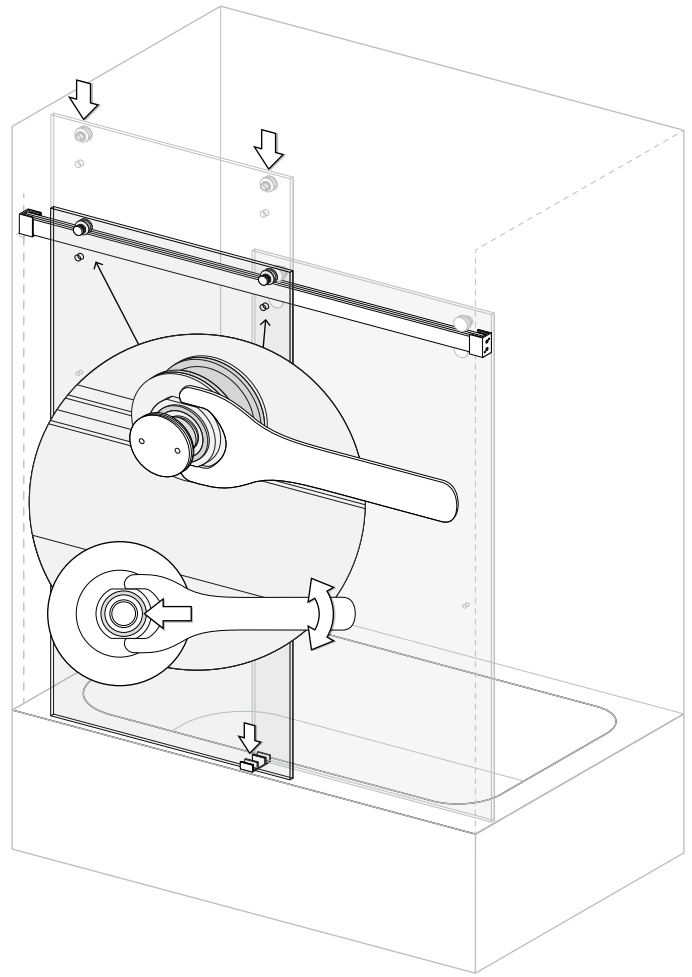
If you need to lower the Door Panel to access the holes to install the bottom rollers, use the Spanner Wrench to loosen the top rollers and the Open Wrench to adjust and lower the Door Panel for better access.



19

### Adjust Wheel Positions snug to Shower Rod

Using Spanner Wrench and Open Ended Wrench, adjust wheel position to make Bottom Roller snug to Shower Rod. Reinstall Exterior Cover Plates to all 4 Rollers.



20

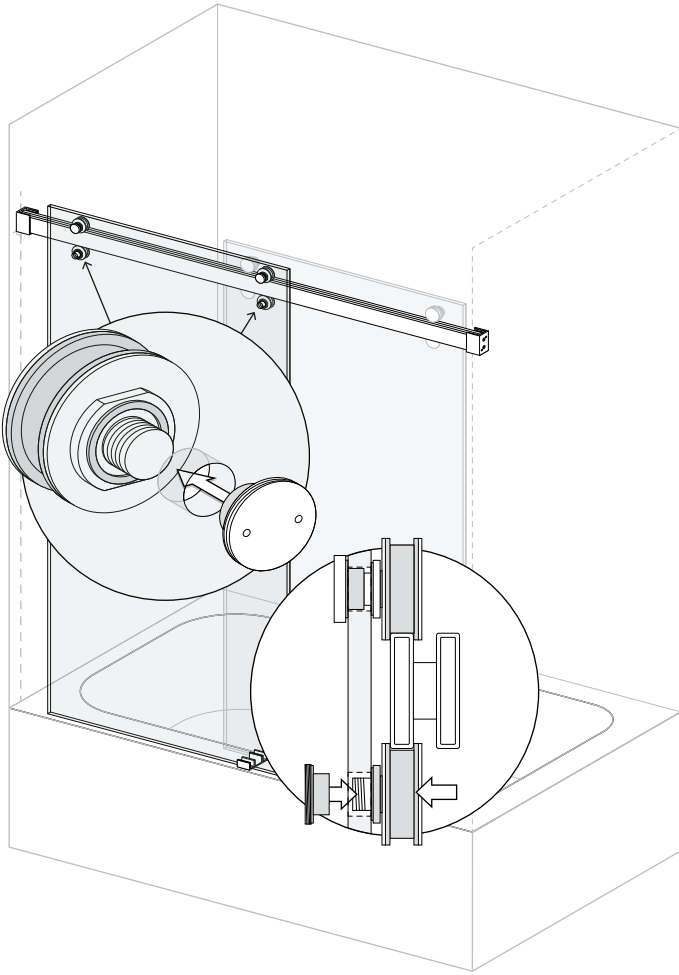
### Hang Exterior Door Panel

Lift the Exterior Door Panel and slowly lower the rollers onto the Shower Rod. When lowering the Door Panel, be sure the bottom of Door Panel slides into the Bottom Bracket and the Sweep faces the interior of the shower. Gently slide Door Panel from side to side making sure it is not binding anywhere along the bottom.

Check the Exterior Door Panel is level and lines up evenly with the wall. If Door Panel does not line up with the wall, use the Open Wrench to adjust top rollers and align Door Panel vertically with wall.

**Important:** Be sure the glass does not touch the tile surface as you are lowering the panel into place.



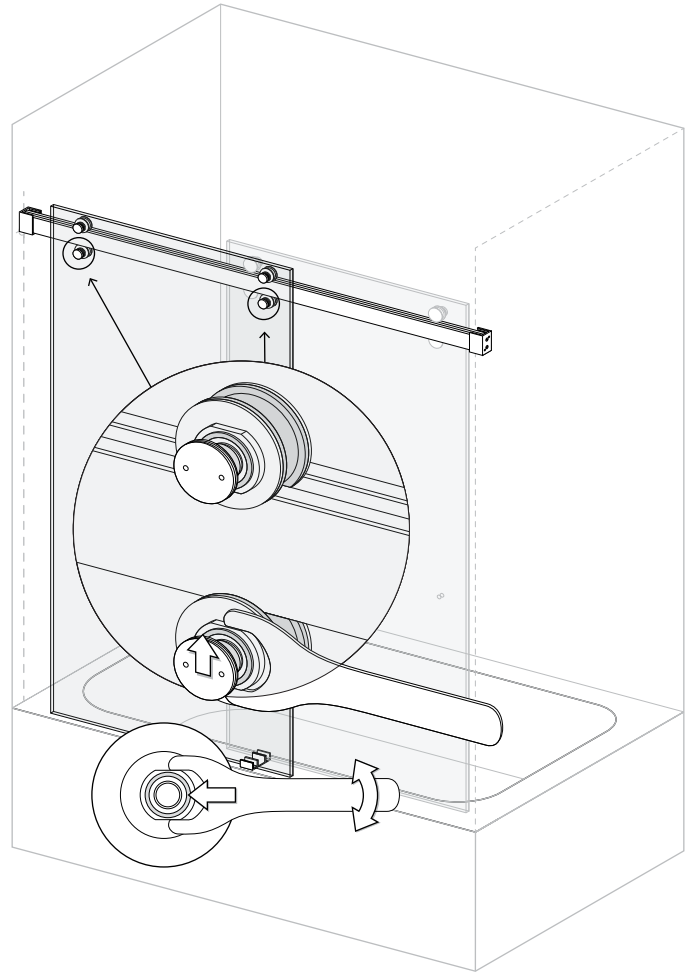


21

**Install Bottom Rollers on Exterior Panel**

Prepare 2 Bottom Rollers by removing Exterior Plate.  
 Begin with roller aligned with flat area parallel to top of Door Panel. Insert Roller into bottom holes in Exterior Panel and reattach Interior Plate.

If you need to lower the Door Panel to access the holes to install the bottom rollers, use the Spanner Wrench to loosen the top rollers and the Open Wrench to adjust and lower the Door Panel for better access.

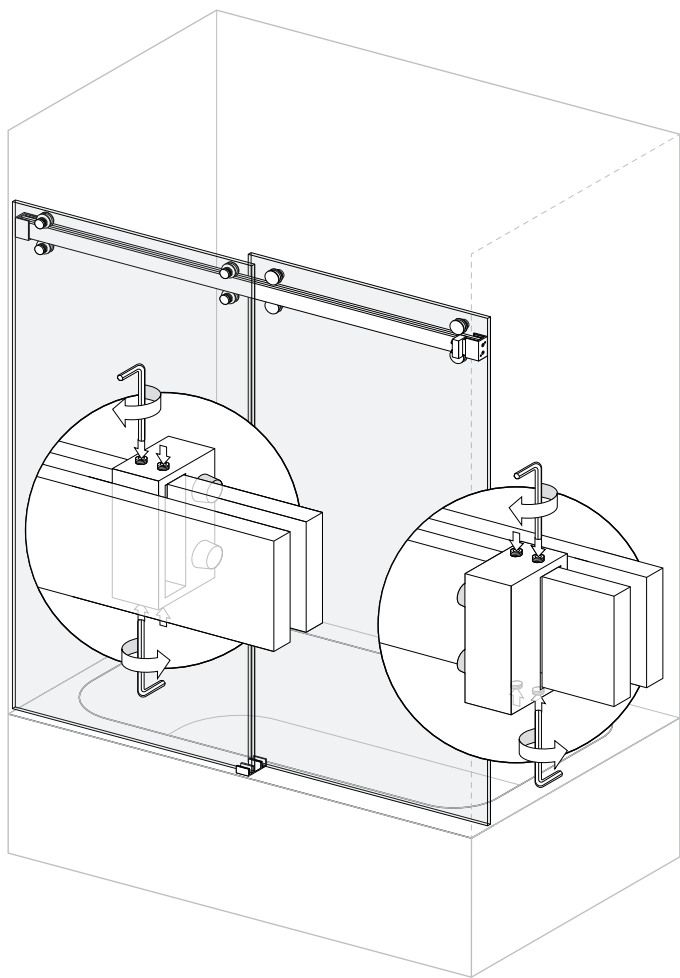


22

**Adjust Wheel Position snug to Shower Rod**

Using Spanner Wrench and Open Ended Wrench, adjust wheel position to make Bottom Roller snug to Shower Rod. Reinstall Exterior Cover Plates to all 4 Rollers.



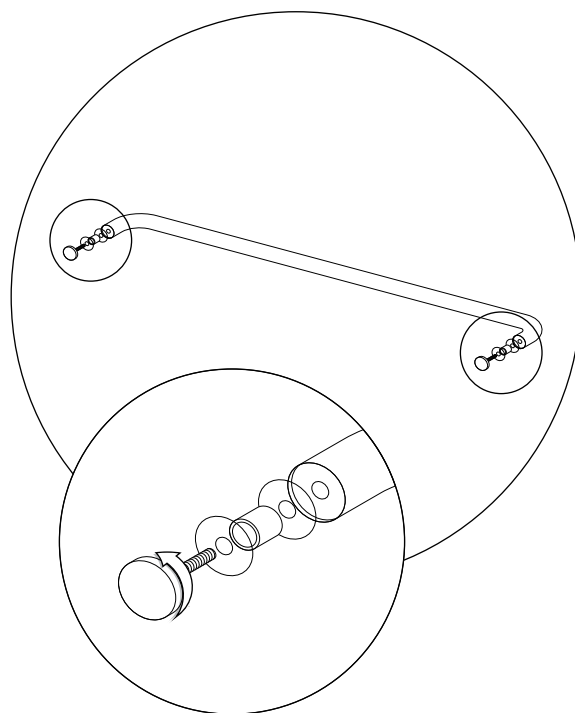


23

---

### Position and secure Stoppers

Open each Door Panel to maximum open position. Once in maximum open position, tighten each Stopper in place.

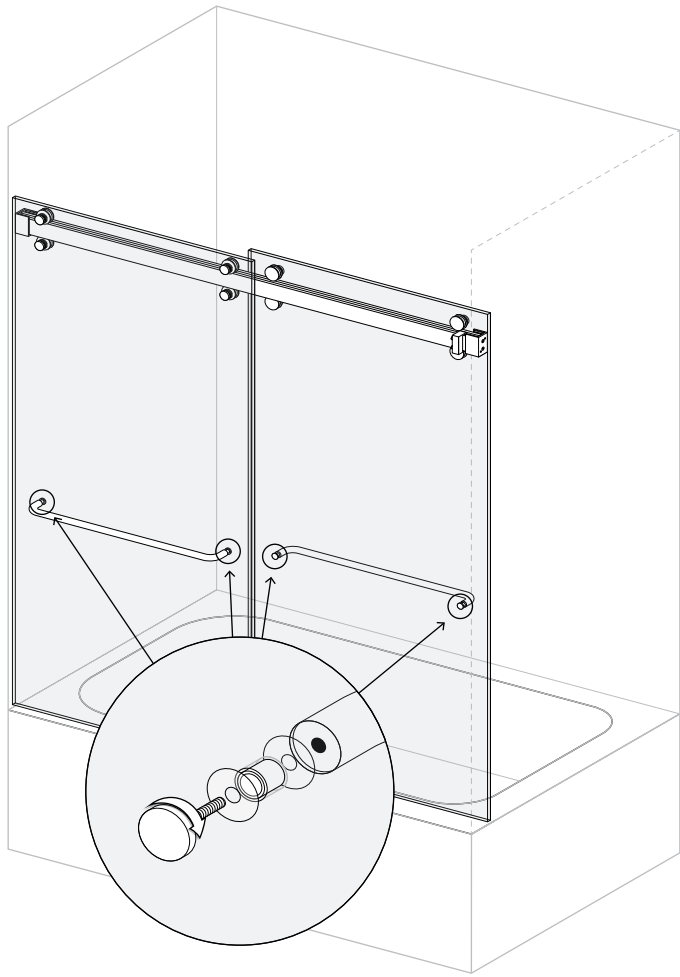


24

---

### Prepare Towel Bar Handles for installation

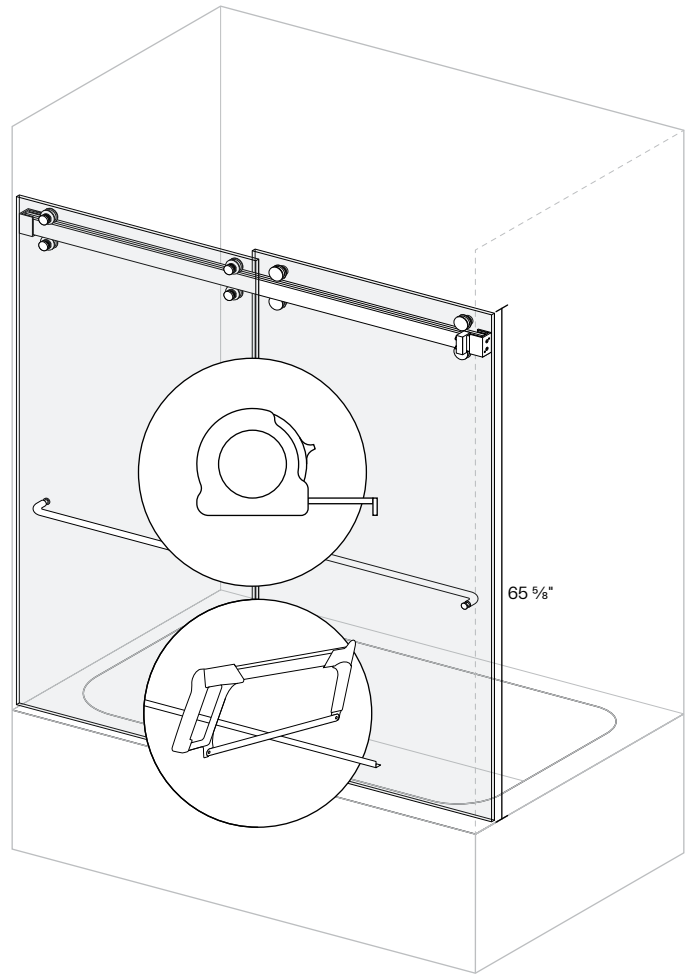
Unpack Towel Bars and unscrew mounting hardware from each end of Towel Bar keeping all pieces conveniently nearby.



25

**Install Towel Bar Handles on Glass Panels**

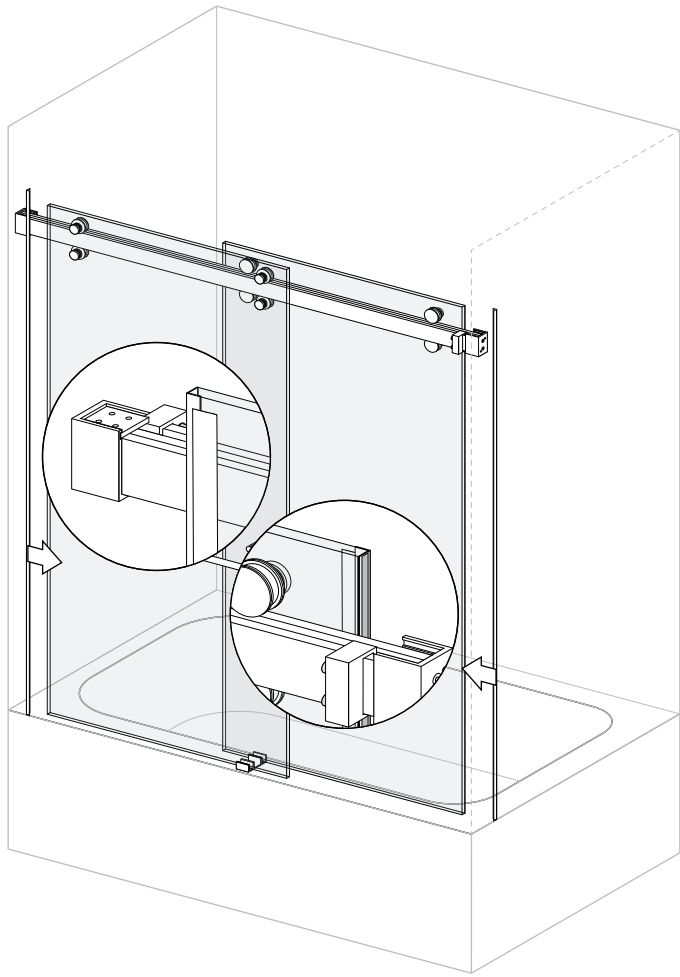
Reinstall hardware on to Door Panels as shown above. Interior Door Panel will have Towel Bar on the inside of the shower. Exterior Door Panel will have Towel Bar on the exterior of shower. Tighten completely using allen wrench in the hole on mounting post.



26

**Trim the L-shaped Seals**

Measure and cut L Seals to match the 65 5/8" height of the Door Panels.

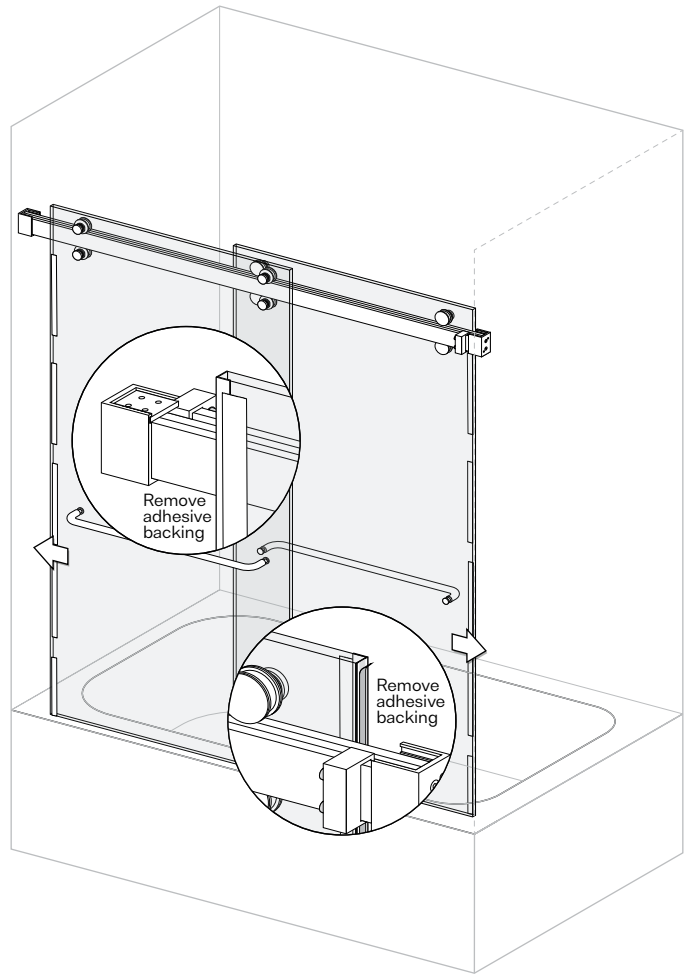


27

---

**Attach L Seals on wall side of each Door Panel**

Align L Seal to top of the Door Panel and temporarily attach using painter's tape.

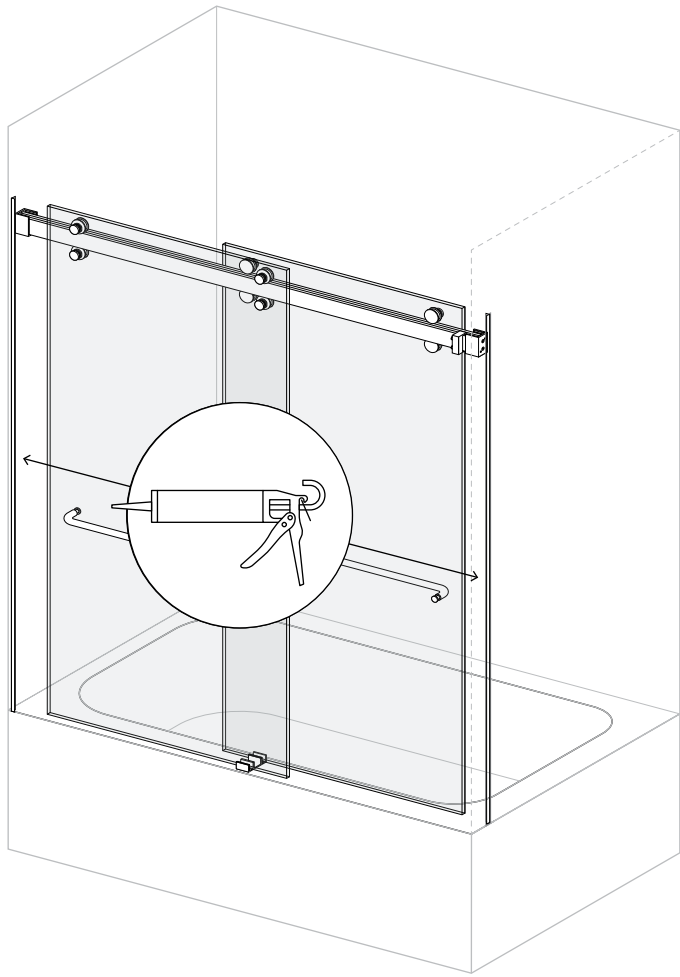


28

---

**Install the L-shaped Seals**

Remove protective liner from L Seal and close Door Panel so L Seal adheres to wall. Remove Painter's tape from the Door Panel and L Seal. Open the Door Panel and push the L Seal firmly into place to secure.

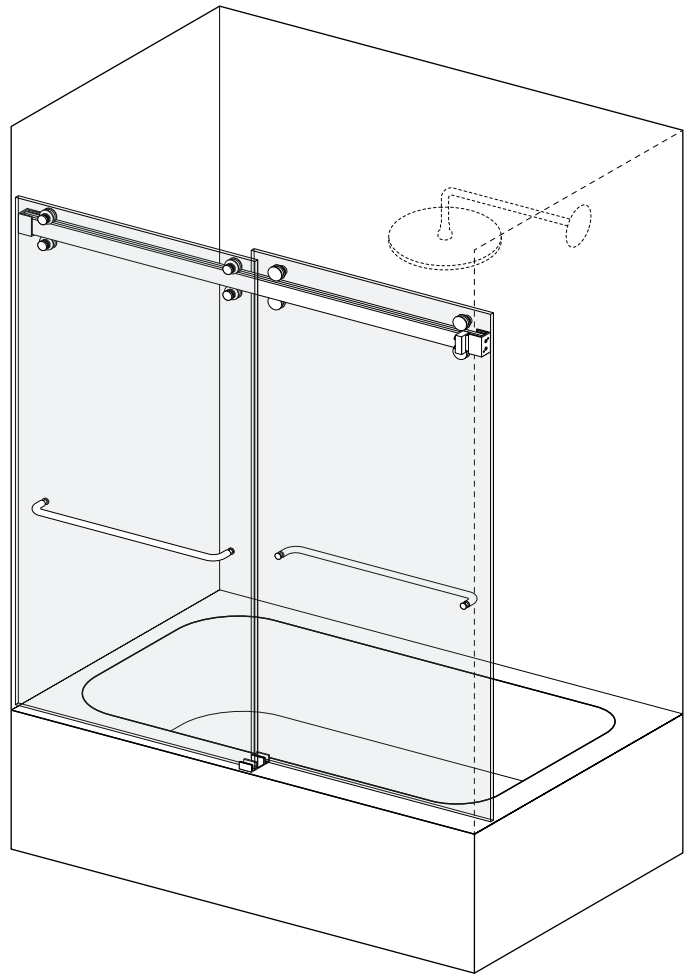


29

---

**Finish L Seals with silicone**

Finish L Seal edges with silicone. Allow to dry for 24 to 36 hours.



30

---

**Once silicone has cured, you're done!**

Please register your warranty using the instructions on the back cover of this document.

# Care & Maintenance



EnduroShield makes cleaning easier and less frequent; however it is recommended that you continue to clean the surfaces regularly.

## Maintaining the Treated Surface

For best results simply drying the glass with a squeegee or towel after each use will help keep the glass clean and reduce mineral spots forming. The glass needs to be cleaned every few weeks using a damp microfiber cloth and a mild detergent to break down soaps, oils, and conditioners on the glass. General glass cleaners are also suitable, however most of these are finishing agents rather than cleaners, and are an added expense that is not required.

## Hard Water Maintenance

In hard water areas, or areas where water drops dry and leave a noticeable dust mark, a build of minerals may occur on the protective treatment. While these may not be removed as easily with the mild detergent, mild acids will often remove the marks quickly. As needed white vinegar should be used to wipe down the glass. Keep in mind the vinegar may be diluted with water, however dilution reduces the effectiveness.

Spray vinegar onto the glass and allow to soak for several minutes. This should dissolve any mineral deposits that have built up on the glass surface. A damp microfiber cloth should then be used to wipe over the surface. For extreme hard water areas we recommended using undiluted vinegar every week or so as a cleaning option to reduce this build up on the surface, rather than allowing the build up to continue over a long period of time.

**Caution:** Prohibited Products \*Note these may damage the treatment and void any warranty

- Avoid the use of any abrasives or polishes including water spot removers, toothpaste, polishes, rough, or gritty substances
- Avoid the use of acids or alkalis that you would not want in contact with your skin for an extended period of time
- Avoid products such as Comet, Ajax, Jiff or Cerium Oxide which polish back the actual substrate
- Avoid the use of any harsh or chemical cleaners, with correct maintenance these are never required

## Approved Cleaning Products

The below products have been tested for compatibility with EnduroShield, however there are no specific products that must be used. We feel you should not be required to purchase extra products in order to keep your glass clean. With correct maintenance, all you need for clean glass beyond 10 years is a squeegee, a mild liquid dish soap, and white vinegar.

Any product that does not fall into the prohibited categories listed above will be fine, and below is a short list of acceptable products:

- Windex
- SprayWay (or other alcohol based foaming cleaners)
- Scrubbing Bubbles (or other automatic leave-to-dry daily shower cleaners)
- 7th Generation, Dawn (or other mild eco friendly cleaners)
- CLR (Calcium Lime Rust)
- Mr. Clean Magic Eraser (when damp)

It should be noted that with any cleaner used on the EnduroShield surface a thorough rinse with clean water should follow immediately. Although these cleaners can be used, EnduroShield is designed to be an 'easy clean coating' that does not require harsh or toxic cleaning chemicals to maintain the surface effectively.

If for any reason the recommended maintenance has not been followed for some time, just as it took time for the build up to occur, it will take time to remove the debris from the protected glass surface. This can most commonly be achieved using undiluted white vinegar dampened on a Magic Eraser, or CLR on a Magic Eraser. Depending on the severity of the build up this may take multiple attempts, but once the glass is clean again it will perform like new. Should you have any queries regarding the cleaning of your treated surfaces please contact EnduroShield.

tel: 805 617 4609  
email: salesusa@enduroshield.com  
www.enduroshield.com

# Exclusive Limited Warranty Terms & Conditions.

This warranty is effective as of JANUARY 1, 2024 on all Glass Warehouse product purchases.

**PLEASE READ GLASS WAREHOUSE WARRANTY TERMS AND CONDITIONS BEFORE INSTALLING YOUR GLASS WAREHOUSE PRODUCT. BY USING THE PRODUCT, YOU ARE CONSENTING TO BE BOUND BY THE FOLLOWING WARRANTY TERMS AND CONDITIONS**

Glass Warehouse offers the following warranty for its products and components thereof. This warranty extends only to the original owner/end-user for household use only and is not transferable to a subsequent owner. Glass Warehouse reserves the right to modify this warranty at any time, it being understood that such modifications will not alter the warranty conditions applicable at the time of sale of the products in question. This warranty extends for a designated period of time, so long as the product remains in use in its original place of installation and that the product must be maintained as described in the owner's manual supplied with the product. This warranty applies only to Glass Warehouse® products purchased from an authorized dealer in the United States or Canada.

**Proof of purchase (original sales receipt) from the original consumer purchase must be provided with all warranty claims.** No responsibility is assumed by Glass Warehouse for any special, incidental or consequential damages. **IN NO EVENT SHALL THE LIABILITY OF GLASS WAREHOUSE EXCEED THE PURCHASE PRICE OF THE UNIT.**

Glass Warehouse products must be installed by a fully insured, licensed professional and according to the Glass Warehouse installation instructions and guidelines. Installation of Glass Warehouse product by anyone other than a fully insured licensed professional shall **VOID THE WARRANTY**. Glass Warehouse recommends that such licensed professionals have experience in the installation of bathroom products -specifically glass shower and glass tub doors. Installation of certain products, including, without limitation, glass products (i.e., shower and tub doors) by an unlicensed or inexperienced installer may result in glass breakage and, consequently, may cause personal injury or even death and Glass Warehouse will not be liable.

## **PARTS ONLY WARRANTY – Limited Warranty 3 years**

This warranty is extensive in that it covers replacement of all defects. Glass Warehouse may, at its option, examine and inspect the alleged defective product and Glass Warehouse may request that parts be returned to Glass Warehouse at Owner's expense for factory assessment and inspection. If Glass Warehouse determines product to be covered by the above Warranty, replacement parts will be shipped via ground shipping. Increased costs for expedited delivery, if requested by the Customer, will be the responsibility of Customer. Parts replaced under the terms of this Warranty will be warranted for the remainder

of the original warranty period. **LABOR CHARGES AND/OR DAMAGE INCURRED DURING INSTALLATION, REPAIR, OR REPLACEMENT, AS WELL AS ANY OTHER KIND OF ANCILLARY COST, LOSS OR DAMAGE ARE EXCLUDED.** Please allow up to 1-3 business days for processing of warranty issued parts. Once warranty replacement parts are shipped, warranty is activated and product cannot be returned for refund thereafter.

## **SHOWER & TUB DOORS, SHOWER ENCLOSURES GLASS**

Glass Warehouse shower doors, tub doors, and shower enclosures are backed by a Limited Lifetime Warranty. Glass Warehouse warrants the glass of shower doors, tub doors and shower enclosures to be free from defects in workmanship and materials under normal residential use for a period commencing from the initial date of purchase by the owner/ end-user, contractor or builder from an authorized Glass Warehouse dealer for the life of the product as long as the original consumer purchaser owns the home in which the product is installed. Warranty for plastic seal strips, sweeps or any other vinyl components shall be limited to one (1) year. Glass Warehouse does not warrant glass for scratches, chips, water spots, breaking or any other damage after installation.

## **SHOWER & TUB DOORS, SHOWER ENCLOSURE HARDWARE**

Glass Warehouse shower door, tub door, and shower enclosure hardware is backed by a Limited Lifetime Warranty. Glass Warehouse warrants shower door, tub door and shower enclosure hardware (i.e. handles, bath knobs, hinges, clips, brackets, shower rods, 90° corner brackets) in chrome, brushed nickel, satin brass and polished brass finishes only to be free from defects in workmanship and materials under normal residential use for a period commencing from the initial date of purchase by the owner/ end-user, contractor or builder from an authorized Glass Warehouse dealer for the life of the product as long as the original consumer purchaser owns the home in which the product is installed. Warranty for any part in oil rubbed bronze or matte black finish shall be limited to one (1) year.

Glass Warehouse hereby disclaims all warranties for products sold as dealer or store displays. Glass Warehouse hereby disclaims all warranties for products used outside of the United States or Canada whether expressed or implied, including but not limited to the implied warranties of merchantability and fitness for a particular purpose.

## **WARRANTY TERMS**

Glass Warehouse will, at its election, repair or replace the product found by Glass Warehouse in its sole judgment, to be defective within the warranty period under normal residential use and maintenance. The replacement of a product is limited to supplying a replacement product or part (same as existing or if not available, comparable product). Glass Warehouse warranty

obligation shall be discharged upon tender of parts, replacement or repair of the product. Purchaser's refusal to accept the tender terminates all warranty obligations and **VOIDS THE WARRANTY**. Cost of freight for returning products to Glass Warehouse for repairs or replacement under this limited warranty are the responsibility of the customer. Cost of freight associated with shipping of replacement product(s) or parts covered by this warranty is the responsibility of the original user. Any product replaced or repaired during the warranty period will be covered only for the remaining period of the original warranty. In no event will Glass Warehouse be liable for costs of repair or replacement of any installation material, including but not limited to tile, marble, etc. **GLASS WAREHOUSE IS NOT RESPONSIBLE FOR INSTALLATION, REMOVAL OR REINSTALLATION COSTS OF ANY PRODUCT REQUIRING WARRANTY SERVICES.**

Any modification or alteration of any Glass Warehouse products will void the warranty. Neither the authorized Glass Warehouse dealer, nor any other person is permitted to make any affirmation, representation, or warranty other than those contained in this warranty. Any affirmation, representation, or warranty other than those contained in this warranty shall not be enforceable against Glass Warehouse or any other person.

Glass Warehouse product installations must be performed by either a Glass Warehouse authorized agent or a licensed, insured and experienced professional contractor - installations performed by any other party shall void the warranty. This warranty shall not apply to breakage or damages caused by normal wear and tear, fault, carelessness, abuse, misuse, misapplication, improper maintenance, alteration or modification of the unit, as well as chemical or natural corrosion, accident, fire, flood or any other casualty. Improper care and cleaning will void the warranty. Use of cleaners containing abrasive cleansers, ammonia, bleach, acids, waxes, alcohol, solvents or other products not recommended for hardware finishes, glass or acrylic as they may damage the metal or glass finish of your shower door or shower enclosure and will void the warranty. For additional product maintenance instructions please refer to the product installation manual. Glass Warehouse is not responsible for any issues arising in connection with errors or omissions in information provided on Glass Warehouse or dealers' websites. This warranty does not extend to any non-Glass Warehouse plumbing or components installed by installers, end users or by any party other than Glass Warehouse.

**THE FOREGOING WARRANTIES ARE IN LIEU OF ALL OTHER WARRANTIES, EXPRESSED OR IMPLIED, INCLUDING BUT NOT LIMITED TO THE IMPLIED WARRANTIES OF MERCHANTABILITY AND FITNESS FOR A PARTICULAR PURPOSE. BATH AUTHORITY LLC ("GLASS WAREHOUSE") AND/OR SELLER DISCLAIMS ALL LIABILITY FOR SPECIAL, INCIDENTAL OR CONSEQUENTIAL DAMAGES. GLASS WAREHOUSE IS NOT LIABLE FOR PERSONAL INJURIES OR DEATH TO ANY PERSON OR FOR ANY DIRECT, SPECIAL,**

**INCIDENTAL OR CONSEQUENTIAL DAMAGE, LOSS OF USE, LOSS OF TIME, LOSS OF PROFITS, INCONVENIENCE, INCIDENTAL EXPENSES, LABOR OR MATERIAL CHARGES, OR ANY OTHER COSTS RESULTING FROM THE USE OF ITS PRODUCTS OR PERTAINING TO THE APPLICATION OF THE PRESENT WARRANTY, OR RESULTING FROM THE REMOVAL OR REPLACEMENT OF ANY PRODUCT OR ELEMENT OR PART COVERED BY THIS WARRANTY.**

#### **COMMERCIAL USE AND OTHER EXCLUSIONS**

This warranty excludes all industrial, commercial and business usage. The warranty period for products installed for commercial applications or used in commercial ventures, including but not limited to motels, hotels, casinos, student housing, condos, apartments, and fitness centers, is a one (1) year limited warranty from the date of purchase for shower doors, bathtub doors, shower enclosures and a three (3) month limited warranty from the date of purchase for mirrors, with all other terms of this warranty applying except the duration of the warranty.

#### **WARRANTY SERVICE**

To activate your limited lifetime warranty, please visit:  
<https://www.glasswarehouse.us/contact/>



Please register your information within 30 days of purchase to complete the activation of your warranty.

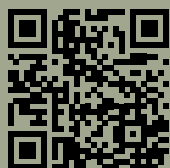
**Contact Technical Support:  
Monday – Friday 8am – 5pm – PST**

**Technical Support: 760-536-3640**

# GLASSWAREHOUSE

## Register Your Warranty Today!

To activate your limited lifetime warranty, please visit:  
<https://www.glasswarehouse.us/contact/>



We will require this information within 30 days of purchase to complete the activation of your warranty.